



Gooseneck Highboy Trailer

ORIGINAL Series

**QUALITY BUILD
QUALITY PEOPLE**



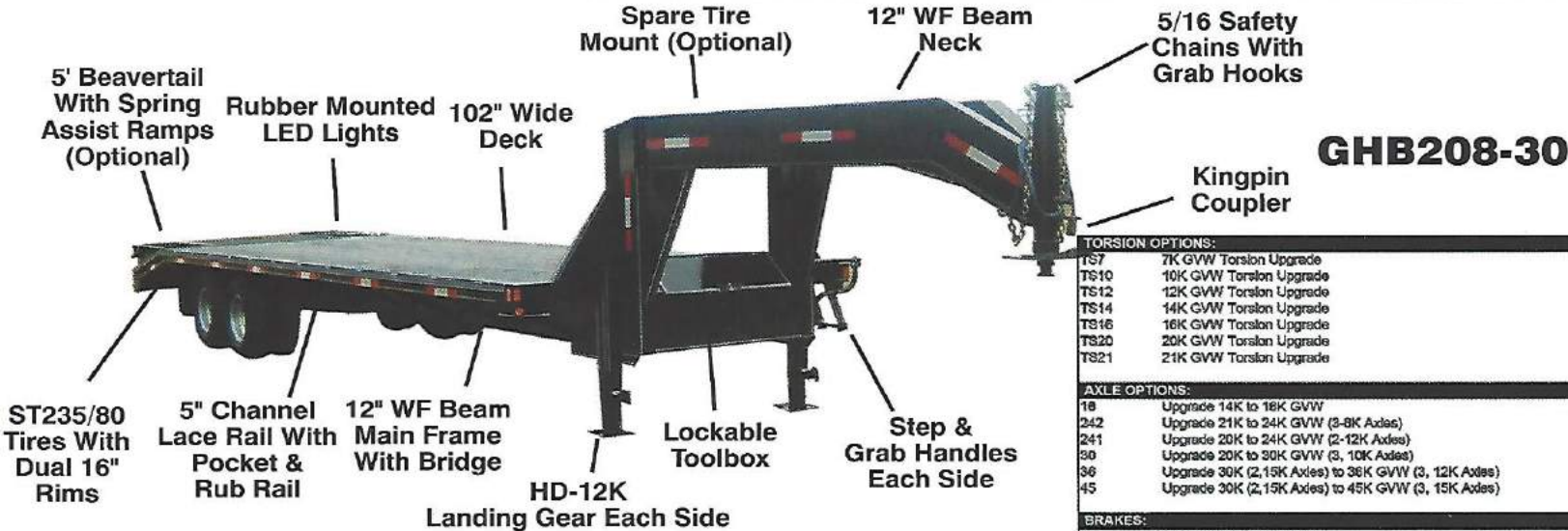
4802 - 57th Ave., Two Hills, AB T0B 4K0 | Phone: 780-657-0008

www.doubletrailers.ca



ORIGINAL

Gooseneck Highboy Trailer



TORSION OPTIONS:

TS7	7K GVW Torsion Upgrade
TS10	10K GVW Torsion Upgrade
TS12	12K GVW Torsion Upgrade
TS14	14K GVW Torsion Upgrade
TS16	16K GVW Torsion Upgrade
TS20	20K GVW Torsion Upgrade
TS21	21K GVW Torsion Upgrade

AXLE OPTIONS:

18	Upgrade 14K to 18K GVW
242	Upgrade 21K to 24K GVW (3-8K Axles)
241	Upgrade 20K to 24K GVW (2-12K Axles)
30	Upgrade 20K to 30K GVW (3, 10K Axles)
36	Upgrade 30K (2, 15K Axles) to 36K GVW (3, 12K Axles)
45	Upgrade 30K (2, 15K Axles) to 45K GVW (3, 15K Axles)

BRAKES:

S1	Surge Brakes (7K GVW)
S2	Surge Brakes (10K GVW)
E1	Electric over Hydraulic Brakes (All GVWs)
A1	Air Brakes for tandem 10K - 15K Axles
V1	Vacuum over Hydraulic Brakes

TIRES & RIMS:

SP1	15" Spare Tire & Rim (ST205/75R15)
SP2	15" Spare Tire & Rim (ST225/75R15)
SP3	16" Spare Tire & Rim (ST235/80R16)
SP4	16" Dually Spare Tire & Rim (ST235/80R16)
SP5	16" Spare Tire & Rim (ST235/85R16)
SP6	16" Dually Spare Tire & Rim (ST235/85R16)
SP7	17.5" Single Spare Tire & Rim (235/75R17.5)
SP8	17.5" Dually Spare Tire & Rim (215/75R17.5)
SP9	22.5" Dually Spare Tire & Rim (265/70R22.5)

HITCHES:

GN1	Gooseneck w/ 1-12K Jack
GN2	Gooseneck w/ 2-12K Jacks
P1	Plate Hitch With 1, 12K Jack
P2	Plate Hitch With 2, 12K Jacks
P3	Plate Hitch With 1, 25K Jack
P4	Plate Hitch With 2, 25K Jacks
AD1	Adj. 2-5/16 Ball Coupler Upgrade (7K-10K GVW)
AD2	Adj. Plate Ring Upgrade (7K-10K GVW)
AD3	Adj. 2-5/16 Ball Coupler Upgrade (20K-21K GVW)

JACKS:

J2	Upgrade 8K to 12K Jack
J3	Add 2nd 12K Jack
J4	Upgrade 2-12K Jacks to 2 Speed Jacks
J5	Upgrade 2-12K Jacks to 2-25K Jacks

RAMPS:

SR6	6" Stand Up Ramps
R7	7" Slide Out Ramps
R7HD	7" Heavy Duty Slide Out Ramps
R8	8" Slide Out Ramps

BEAVERTAIL & DOVETAIL:

BT1	Beavertail With Spring Assist Ramps
BT2	Beavertail With Center Lift & Spring Assist Ramps
BT3	Beavertail With Spring Assist Ramps (30K GVW & Up)
BT4	Beavertail With Center Lift & Spring Assist Ramps (30K GVW & Up)
BT5	6" wood filled BT w/ 6" Stand Up wood filled Ramps (Paver Special)
TFTB	Adds Treadplate to Beavertail Ramps & Center LR
DT2	2" Dovetail
DT4	4" Dovetail

FRAME UPGRADES:

F1	Upgrade Channel to Next Size Up
F2	Upgrade Wide Flange Beam to next weight/size up

TOOLBOXES:

TB2	Side Mount Toolbox
TB4	Upright Toolbox
TB5	Neck Toolbox (Recessed on top of GN)

MISC. OPTIONS:

UD	Upper Deck (on GN)
WP	Winch Plate mounted midway between uprights
ATP1	Aluminum Treadplate Packages (Cover Toolbox & Gussets)
DR1	8" Durrage Raek (8" long) with Mesh
PS	Pocket Stakes to hold 4 x 4 wood In place
MSH1	Mesh In Reach of GN
MSH2	Mesh In A-frame (HBP)
W4	4" Winches on 48" OC
SWT	Sliding Winch Track
XF2	Extra Footage
LR1	5" Live Roll
LP	Low Profile Deck (Lowers Deck 4")
PS1	Pipe Spools



BT2 - Beavertail With Centre Lift And Spring Assist Ramps



R7-7" Slide In Ramps



SP3 - Spare Tire Rim



TB4 - Upright Tool Box

MODEL:

	Main Frame	Lacey Rail	Tool box	Safety Chains	Axle Size	Coupler	Tire & Rim	Carrying Capacity	Tare Weight	Landing Gear
GHB148-20'	10 @ 15lb	5" Channel w/ Pockets & Rubrail	None	5/16" Grade 70 Chain w/ Grab Hooks	2,7K, electric brakes	GN 2-5/16 Adj. Ball or Kingpin	235/80R16	8,990lb's	4004lb	(2) 12K
GHB148-22'								9,703lb's	4297lb	
GHB148-24'								8,410lb's	4590lb	
GHB148-26'								9,117lb's	4883lb	
GHB148-28'								8,924lb's	5176lb	
GHB148-30'	12 @ 16lb	5" Channel w/ Pockets & Rubrail	Lockabl e & Between Uprights	5/16" Grade 70 Chain w/ Grab Hooks	2,10K, electric brakes w/ oil bath hubs	GN 2-5/16 Adj. Ball or Kingpin	235/80R16	15,005lb's	4995lb	(2) 12K
GHB208-22'								14,732lb's	5288lb	
GHB208-24'								14,459lb's	5541lb	
GHB208-26'								14,186lb's	5814lb	
GHB208-28'								13,913lb's	6087lb	
GHB208-30'	12 @ 18 w/B	5" Channel w/ Pockets & Rubrail	Lockabl e & Between Uprights	5/16" Grade 70 Chain w/ Grab Hooks	2,10K, electric brakes w/ oil bath hubs	GN 2-5/16 Adj. Ball or Kingpin	235/80R16	13,490lb's	6510lb	(2) 12K
GHB208-32'								13,217lb's	6783lb	
GHB208-34'								12,944lb's	7056lb	
GHB208-36'								12,671lb's	7329lb	
GHB208-38'								12,398lb's	7602lb	
GHB208-40'	12 @ 19 w/B	5" Channel w/ Pockets & Rubrail	Lockabl e & Between Uprights	5/16" Grade 70 Chain w/ Grab Hooks	3,7K, electric brakes, 8 stud	GN 2-5/16 Adj. Ball or Kingpin	235/80R16	16,215lb's	4785lb	(2) 12K
GHB218-22'								15,942lb's	5058lb	
GHB218-24'								15,669lb's	5331lb	
GHB218-26'								15,396lb's	5604lb	
GHB218-28'								15,123lb's	5877lb	
GHB218-30'	12 @ 16 w/B	5" Channel w/ Pockets & Rubrail	Lockabl e & Between Uprights	5/16" Grade 70 Chain w/ Grab Hooks	2,15K, electric brakes w/ oil bath hubs	GN Kingpin	215/75R17.5	23,700lb's	6300lb	(2) 25K
GHB318-26'								23,450lb's	6550lb	
GHB318-28'								23,200lb's	6800lb	
GHB318-30'								22,850lb's	7150lb	
GHB318-32'								22,600lb's	7350lb	
GHB318-34'	12 @ 22 w/B	5" Channel w/ Pockets & Rubrail	Lockabl e & Between Uprights	5/16" Grade 70 Chain w/ Grab Hooks	2,15K, electric brakes w/ oil bath hubs	GN Kingpin	215/75R17.5	22,450lb's	7550lb	(2) 25K
GHB318-36'								22,100lb's	7900lb	
GHB318-38'								21,850lb's	8150lb	
GHB318-40'								21,600lb's	8400lb	



GHB148-20'



GHB218-30'



GHB208-30T

STANDARD FEATURES

Width:	102" overall width	Decking:	2" Treated Wood fastened w/ 1/4" torx screws
Crossmembers:	3" Channel on 16" centers	Steps:	Steps & Grab Handles each side
Wiring:	Arctic wiring, soldered & enclosed in conduit	Finish:	Sand blasted & painted w/ PPG urethane paint
Lights:	Rubber mounted LED (30' & up c/w side signal)		